

PRINTING Fume Extraction Solutions

PP Base LEF 12

PrintPRO

Fume extraction system and stand
for the **Roland LEF-12 and 12i** printer.

BOFA's PrintPRO Base LEF 12 is designed exclusively for Roland DG to remove odours generated during the printing process.

The design allows the Roland LEF-12/12i printers to sit on top of the extractor as a cart or bench, and specially formed dimples ensure a perfect alignment and secure location. Manufactured to run efficiently and quietly in an office environment, colour matched for good looks, with practical internal storage and castors for portability, the PrintPRO Base LEF 12 is the perfect companion to the Roland LEF-12/12i Printers.

STANDARD FEATURES:

- Colour matched to the Roland LEF-12/12i printers
- VOC gas sensor (Volatile Organic Compound)
- Auto sensing voltage (115-230v) for global use
- Digital speed control
- Extended life carbon for low cost of ownership
- Specially treated carbon for safe containment of print fumes
- Doubles as cart/bench with locating dimples for security
- Low noise level
- Castors for portability
- Internal accessories shelf
- Extraction hose kit included

TECHNOLOGY:



HEPA filter technology



Advanced Carbon
Filter technology



SureCheck Quality
Standard



Recommended by Roland DG as the choice
of extraction with the LEF Series printers.

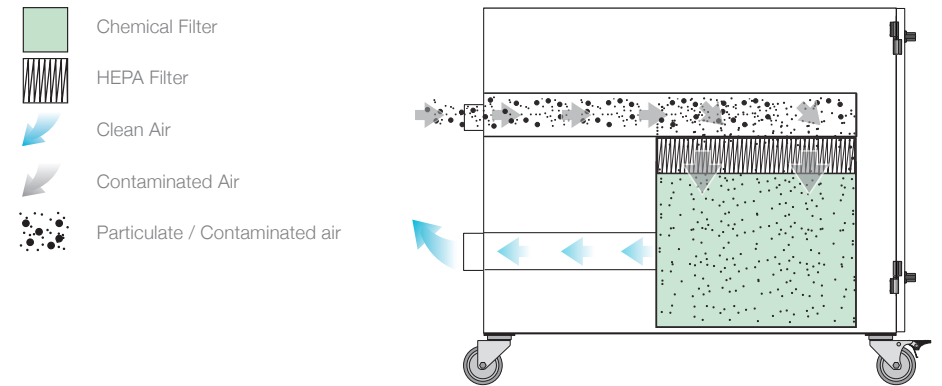
UNIT PART NUMBERS		FILTER PART NUMBERS
Model	Part No.	HEPA/Gas Filter Part No.
PrintPRO Base LEF 12 Powder Coated	31021063-1258	A1030158

TECHNICAL DATA		
	EU	US
Dimensions (HxWxD)	730 x 1000 x 820mm	28.7 x 39.4 x 32.3"
Cabinet Construction	Powder coated mild steel	Powder coated mild steel
Airflow / Pressure	400m³/hr / 96mbar	235cfm / 96mbar
Electrical Data	115v - 230v 1ph 50/60Hz Full load current: 12.5 amps / 1.1kw	
Noise Level	< 59dBA (at typical operating speed)	
Weight	120kgs	265lbs
Approvals	CE	UL

GAS/HEPA FILTER SPECIFICATIONS	
Surface Media Area	3.45m² approx
HEPA Filter Media	Glass Fibre
HEPA Media Construction	Maxi Pleat Construction with Webbing Spacers
Filter Efficiency	99.997% @ 0.3 microns
Treated Activated Carbon	17kgs
Filter Housing	Zintec Mild Steel

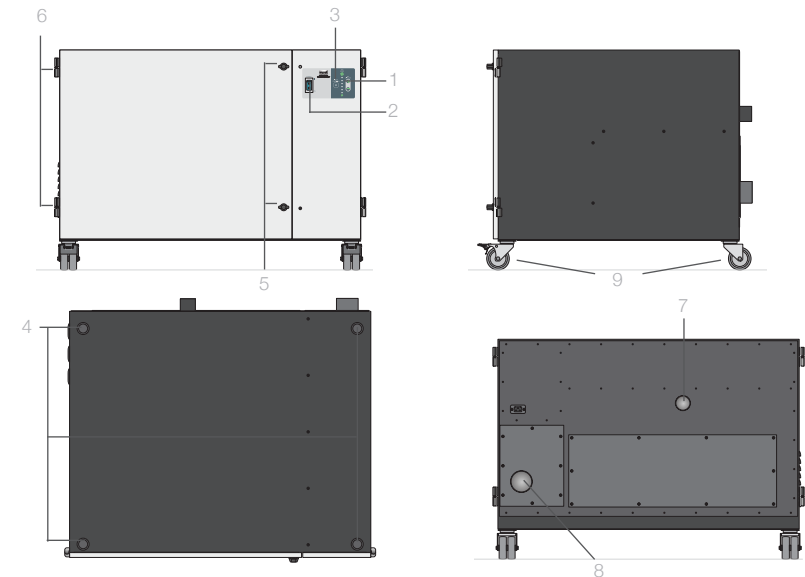
Other hose kits and filters are available. All of the above units are fitted with our standard filter combinations. For specific applications please call us for details. Replacement filters should always be ordered using the part number on the filters inside your extractor to ensure the correct filter is ordered. Datasheet correct at time of print.

AIRFLOW THROUGH FILTERS



TECHNICAL SPECIFICATION

- | | |
|---|--------------------------------|
| 1 Digital Speed Control | 6 Door Hinges |
| 2 On / Off Switch | 7 Hose Inlet Connection - 50mm |
| 3 Filter Condition Display | 8 Exhaust Outlet - 75mm |
| 4 Locating Dimples for the Roland LEF-12i Printer | 9 Castors |
| 5 Filter Compartment Door Latches | |



Roland are registered in the U.S. Patent and Trademark Office.

Roland-PrintPRO-Base-LEF12:29/3/17V:1.9



BOFA INTERNATIONAL LTD

Tel: +44 (0) 1202 699 444 Fax: +44 (0) 1202 699 446 Email: sales@bofa.co.uk Web: www.bofa.co.uk

BOFA AMERICAS, INC

Tel: (618) 205 5007 Fax: (866) 707 2632 Email: sales@bofaamericas.com Web: www.bofaamericas.com



British Quality

