



A Donaldson Company

A WORLD LEADER IN FUME EXTRACTION TECHNOLOGY

# AD 4000 iQ

LASER

Last Updated on 07.03.2019



The AD 4000 iQ delivers superior and measurable performance, ensuring airflow and filtration is maintained even when particulates start to build up from the triple DeepPleat DUO and combined filter setup.

This makes it suitable for the most demanding and complex installations, so you can rely on extended filter life, together with effective removal of fumes and particulates.

It's user friendly too, with a design that makes easy work of filter changes and the easy to read and access controls display panel is conveniently located on top of the unit.

The AD 4000 iQ design permits greater flexibility. Different exhaust configurations allow recirculation via the rear panel or externally vented hose connection systems.

More information about the [Intelligent \(iQ\) Operating System](#).

## Technology



Intelligent (iQ) Operating System



DeepPleat DUO



HEPA filter



Automatic flow control technology



Reverse flow air technology



Advanced carbon filter technology



Patented technology



ProTECT service plan



SureCHECK quality standard

## Key features of the AD 4000 iQ

iQ Operating system Standard

3 x DeepPleat DUO pre filters Standard

Contact BOFA at <https://bofainternational.com/en/contact/>

<https://bofainternational.com/en/portal/datasheets/ad-4000-iq-2/>



**Reverse flow air filter technology**

Standard

**Blowers with high airflow and vacuum levels**

Standard

**Real time airflow reading**

Standard

**Remote diagnostics via USB**

Standard

**Long life filters with low replacement cost**

Standard

**Remote stop / start interface**

Optional

**VOC gas sensor (Volatile Organic Compound)**

Optional

**On-board compressor**

Optional

**Combined HEPA/Gas filter incorporating ACF technology**

Standard

**High contrast display**

Standard

**Filter status warnings**

Standard

**Independent filter condition monitoring**

Standard

**'Run safe' operation (filters must be installed correctly for the unit to operate)**

Standard

**Filter change / System fail signal**

Optional

**Interfacing with host laser**

Optional

### Technical specification

1 iQ Display

2 Standby button

3 Signal / interface cable

4 Power cable inlet

5 Adjustable locking castors

6 Door hinges

7 Exhaust outlet

8 Hose inlet connection - 200mm

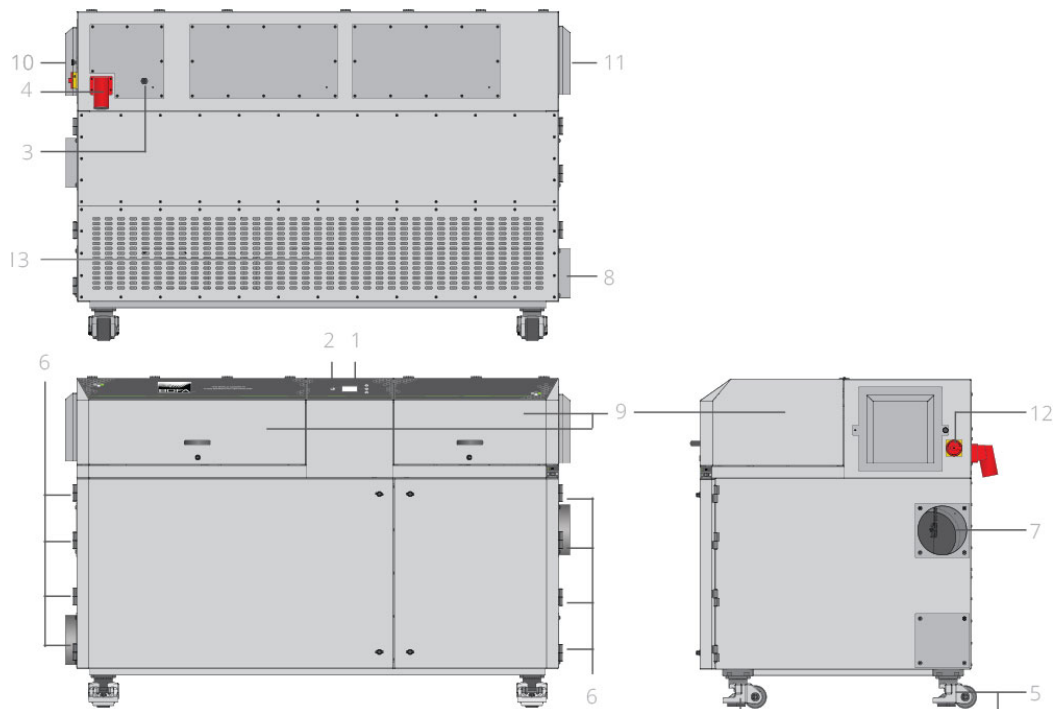
9 Removable front panels

10 Motor cooling inlet

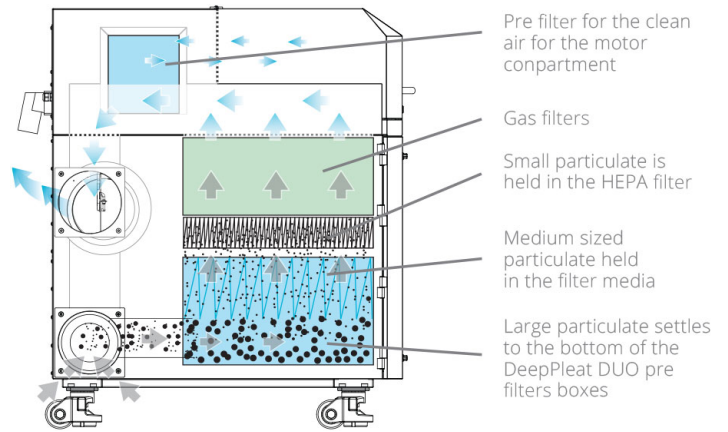
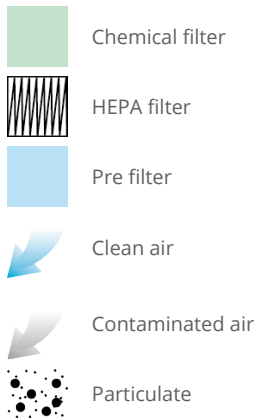
11 Motor cooling outlet

12 On / off switch

13 Exhaust outlet vent



## Airflow through filters



### Technical data

	EU	US
<b>Dimensions (H x W x D)</b> (height varies due to adjustable castors)	1300 x 1955 x 1100mm	51.18 x 76.97 x 43.31"
<b>Cabinet construction</b>	Powder coated mild steel	Powder coated mild steel
<b>Airflow/Pressure</b>	2900m <sup>3</sup> /hr / 44mbar	1705cfm / 44mbar
<b>Electrical data</b>	(EU) 415V / 3Ph / 50Hz / 6.6kw / 16A / L1, L2, L3 17A - N 1A	(EU) 415V / 3Ph / 50Hz / 6.6kw / 16A / L1, L2, L3 17A - N 1A
<b>Noise level</b>	< 82dBA (at typical operating speed)	< 82dBA (at typical operating speed)
<b>Weight</b>	580kgs	1276lbs
<b>Approvals</b>	CE	CE

### 3 x Combined HEPA/Gas filter specifications

<b>Surface media area</b>	7.5m <sup>2</sup> approx x 3 (22.5m <sup>2</sup> ) 80.7 ft <sup>2</sup> approx x 3 (242.1 ft <sup>2</sup> )
<b>HEPA filter media</b>	Glass fibre
<b>HEPA media construction</b>	Maxi pleat construction with webbing spacers
<b>Filter housing</b>	Zintec mild steel
<b>Treated activated carbon</b>	34kgs (102kgs) 74.8 lbs (224.4 lbs)
<b>Filter efficiency</b>	99.997% @ 0.3 microns

### 3 x DeepPleat DUO pre filter specifications

<b>Surface media area</b>	30m <sup>2</sup> approx x 3 (90m <sup>2</sup> ) 322.8 ft <sup>2</sup> approx x 3 (968.4 ft <sup>2</sup> )
<b>Filter media</b>	Glass fibre
<b>Filter media construction</b>	Maxi pleat construction with webbing spacers
<b>Filter housing</b>	Zintec mild steel
<b>Filter efficiency</b>	95% @ 0.9 microns
<b>Inlet size</b>	125mm (0.41ft)
<b>Dropout chamber size</b>	58 litres x 3 (174 litres)

### 3 x DeepPleat DUO pre filter specifications

Filter media pleat size	200mm x 3 (600mm) 0.65ft x 3 (1.95ft)
-------------------------	---------------------------------------

### Unit part numbers

Model	24V Stop / Start	Filter change / System failure signal	VOC monitoring	Part no.
AD 4000 iQ powder coated	YES	YES	NO	296295812128-1743
AD 4000 iQ powder coated	YES	YES	YES	304395812128-1743

### Replacement filter part numbers

Model	Triple pack DeepPleat DUO pre filters	Triple pack combined HEPA/Gas filters
AD 4000 iQ	A1030407	A1030406

## Other languages

AD 4000 iQ  
[French](#)

*Datasheet correct at time of publishing.*

*The carbon used in BOFA units is capable of removing a wide range of VOC's, however it is the responsibility of the user to ensure the carbon is suitable for their application. For specific applications, please contact us for details.*

*Think before you print! Please consider the environment before printing this document.*

